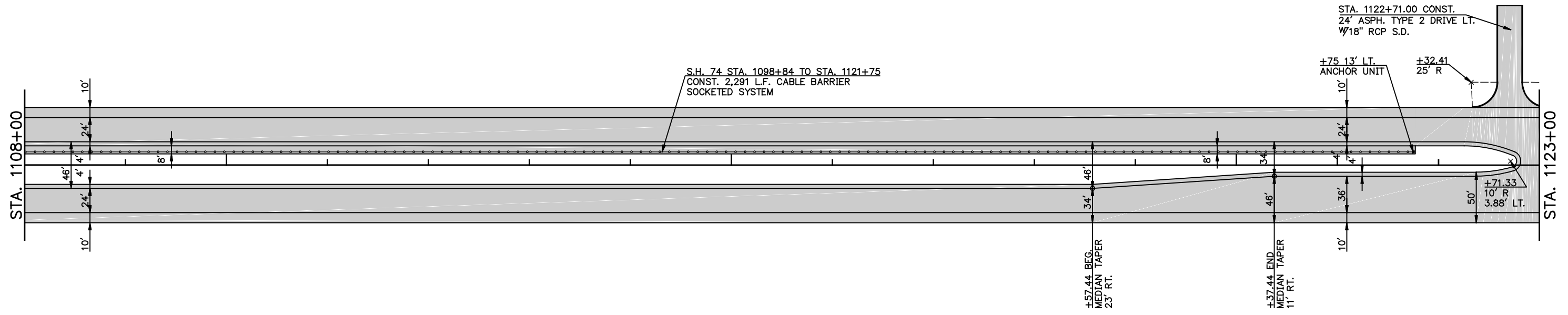
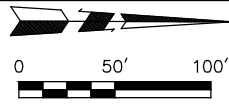


1110

1115 SEC 26 T14N R4W

1120



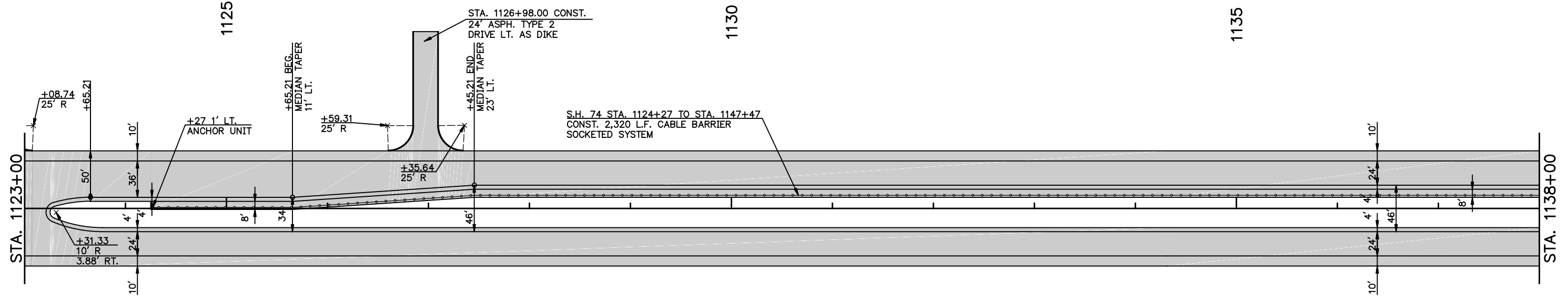
SEC 25 T14N R4W

SEC 26 T14N R4W

1125

1130

1135



SEC 25 T14N R4W

**SURFACING CONSTRUCTION DETAILS
AND CABLE BARRIER LAYOUT**
S.H. 74 STA. 1108+00 TO 1138+00